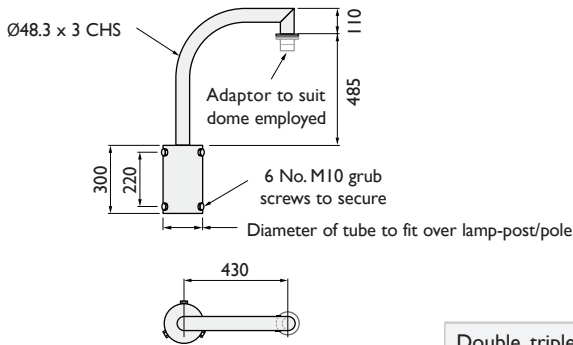


Pole Top Mounted Swan Neck

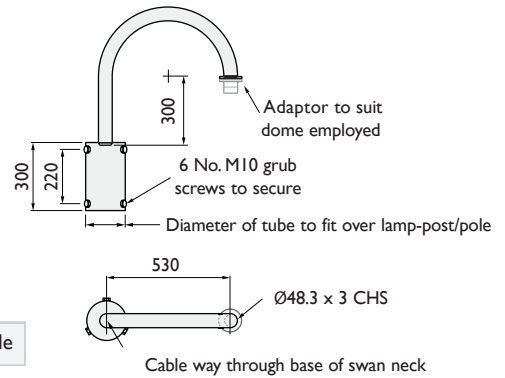
PT(Ø*) I699/H (* Pole diameter)

Pole top mount half swan neck



PT(Ø*) I699/F (* Pole diameter)

Pole top mount full swan neck



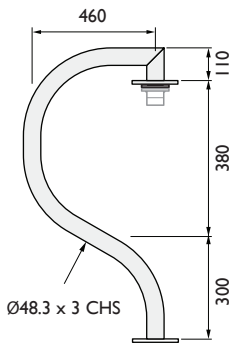
Double, triple & quad brackets available

Sweeping Swan Neck Brackets

AWI723

Sweeping swan neck

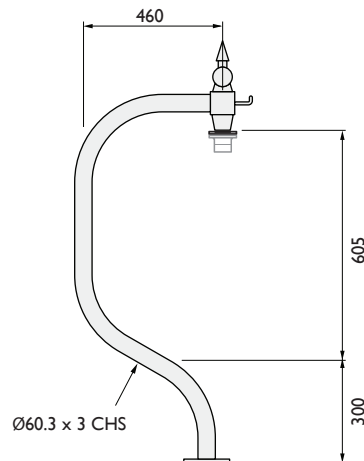
For 6 - 8" Domes



AWI723/OF

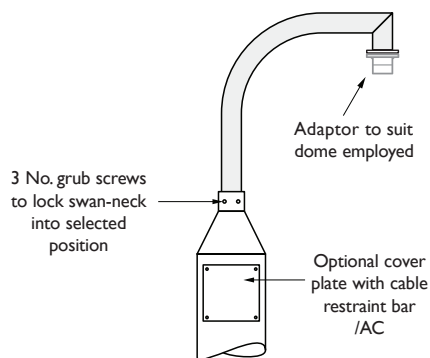
Sweeping swan neck

For 15 - 18" Domes (ornate option shown)



Detail of Swan Neck (Screw in)

Produces aesthetic connection of swan neck and enables 360° orientation



Fitting Option for Swan Necks

