

Swan Neck & Dome Mounting Brackets

The Altron range of swan necks & dome mounting brackets are versatile and can be produced to suit any dome type. Standard mounting variations suit most installations, but if you have an installation that requires something non-standard, then we produce bespoke brackets to suit your specific requirement.

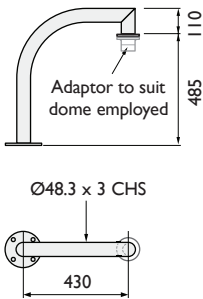
Please specify dome type when ordering

Swan Neck Brackets

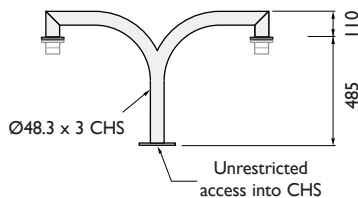
- Stock items

HALF

- **AWI699/H**
Single



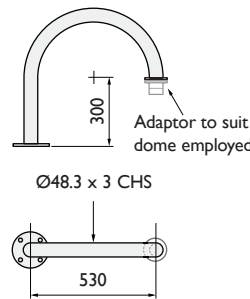
- **AWI699/TH**
Twin



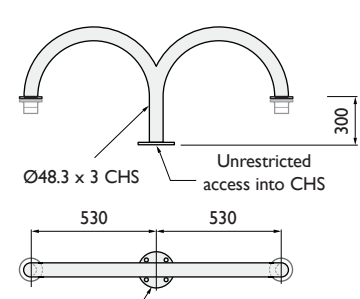
Standard PTZ plate with 4 No. Ø8.5 on 101.6 PCD

FULL

- **AWI699/F**
Single



- **AWI699/TF**
Twin

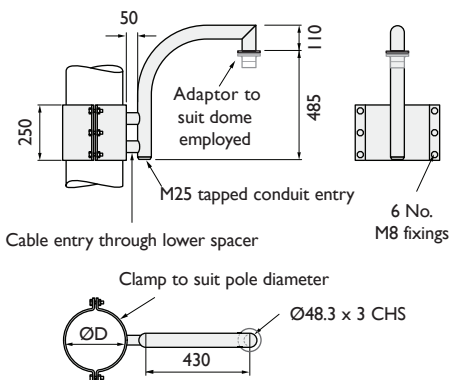


Standard PTZ plate with 4 No. Ø8.5 on 101.6 PCD

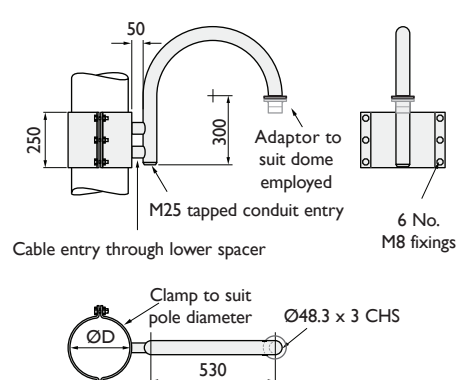
Triple & quad brackets available

Pole Mounted Swan Neck Brackets

- **PMB (Ø*) I699/H** (* Pole diameter)
Pole mount half swan neck



- **PMB (Ø*) I699/F** (* Pole diameter)
Pole mount full swan neck



Double, triple & quad brackets available