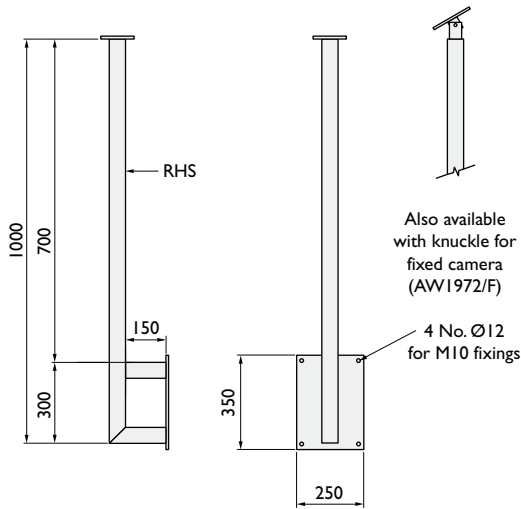
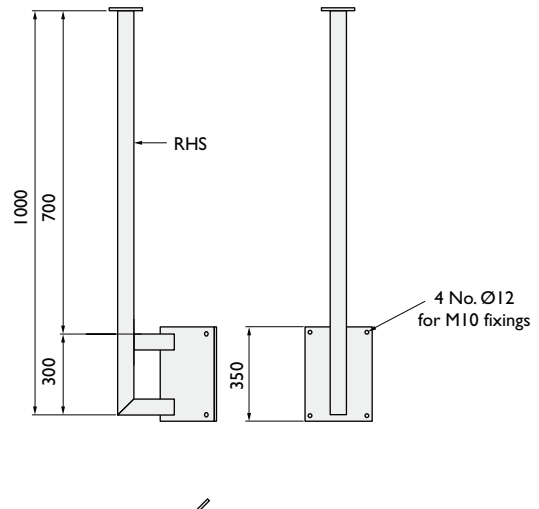


Upstand Wall Brackets

AW1972
Wall mount



AW1972/C
Corner mount



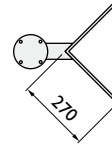
Wall Mount

PTZ camera ● **AW1972 SPT**
Fixed camera ● **AW1972 SF**

● Stock items

Load Capacities

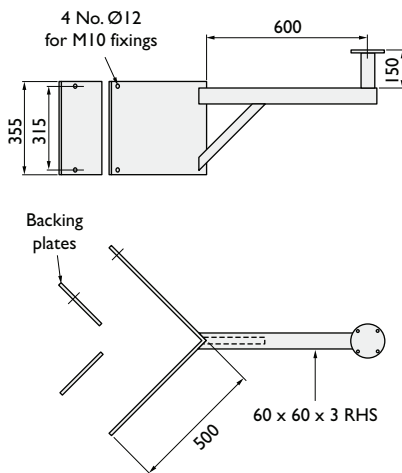
For PTZ Load capacity 25kgs
For Fixed Load capacity **PTS-I** 10kgs
HAS-I 25kgs



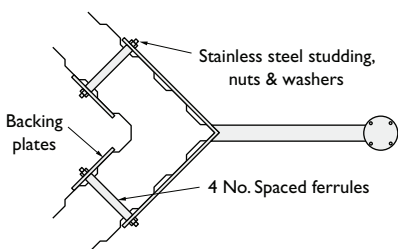
Corner Mount

PTZ camera **AW1972/C SPT**
Fixed camera **AW1972/C SF**

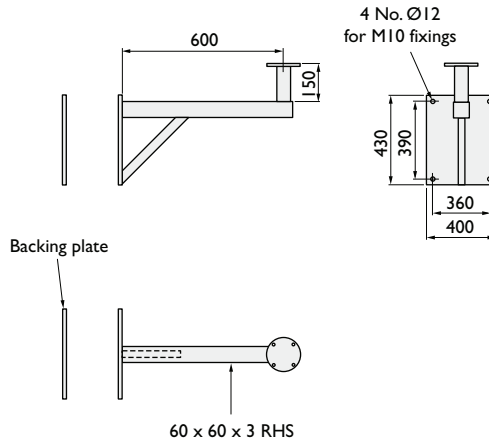
CB2/C
Corner



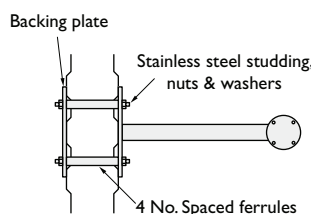
Fixing arrangement



WB2/C
Flat



Fixing arrangement



Load Capacities

CB2/C Load capacity 25kgs
WB2/C Load capacity 25kgs

All brackets for camera mounting have a Ø127 mounting plate with Ø8.5 holes equi - spaced on 101.6 PCD